

PN - 012AJ284-4 (F570 6x4)

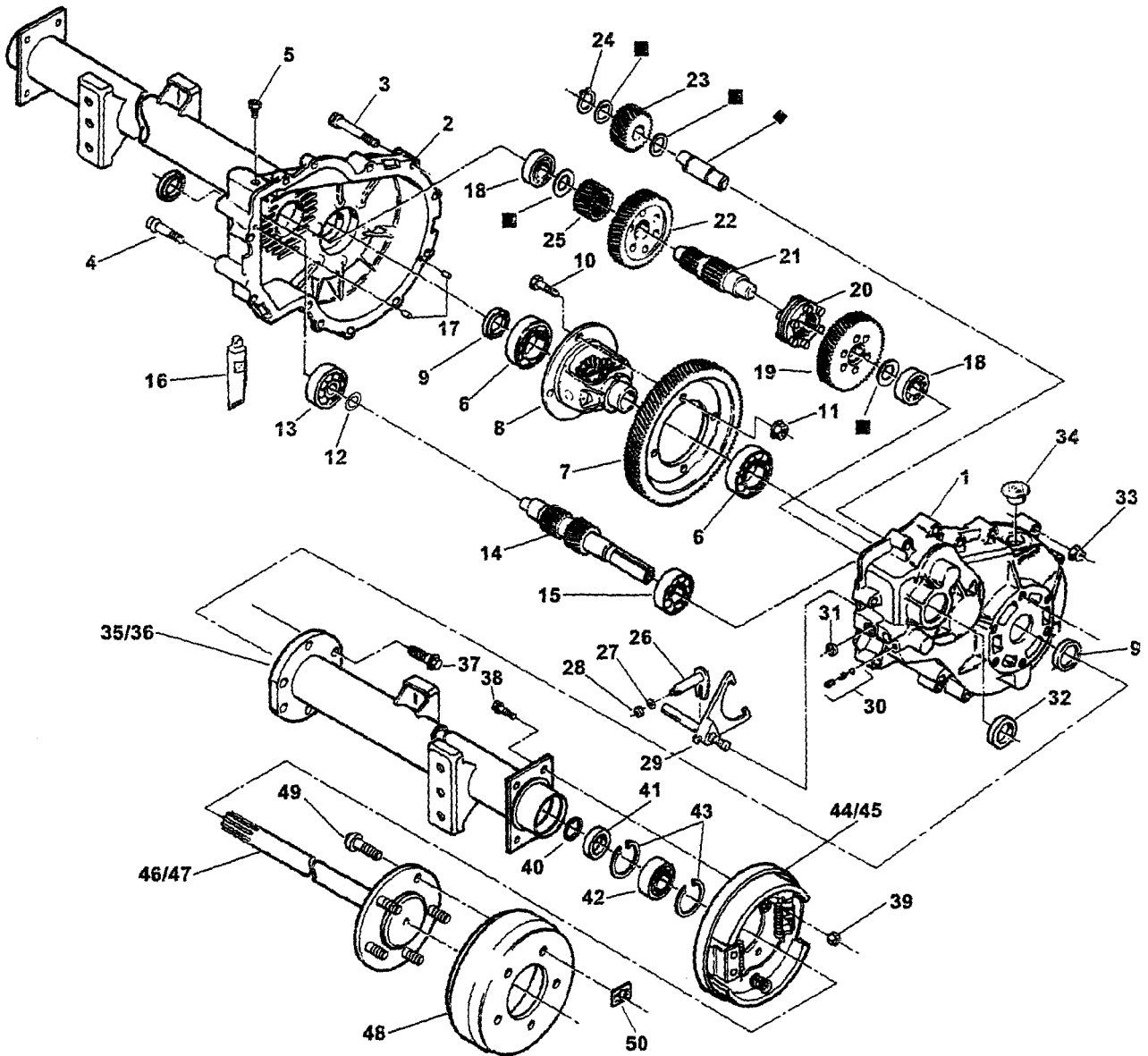
PUG

RATIO - 10.15:1

| ITEM | DESCRIPTION | QTY. | DANA PART NUMBER | KIT NO. | PUG PART NUMBER |
|------|---|------|---------------------|----------|--------------------|
| 1 | Housing, Axle (Left Hand) | 1 | 012CH240 | | |
| 2 | Housing, Axle (Right Hand) | 1 | 012CH254-1X | | |
| 3 | Screw, Flange head | 13 | 012HM110-1 | | |
| 4 | Screw, Cap | 2 | 527A6-1 | | |
| 5 | Vent | 1 | 070HN103 | | |
| 6 | Bearing, Ball | 2 | 585994 | 52 | |
| 7 | Gear, Final Drive | 1 | 012GS203 | | |
| 8 | Assembly, Differential Case | 1 | 012DA444X 120 X | | |
| 9 | Seal, Oil | 2 | 012HH139 | | |
| 10 | Screw, Cap | 4 | 012HM128 | | |
| 11 | Nut, Lock | 4 | 012HN138 | | |
| 12 | Kit, Shim | 1 | --- | 012LK134 | |
| 13 | Bearing, Ball | 1 | 012HD111 | 52 | |
| 14 | Shaft, Input | 1 | 012GS307 | | |
| 15 | Bearing, Ball | 1 | 585965 | 52 | |
| 16 | Sealant, RTV Silicone | A/R | 012HG134 | | |
| 17 | Pin, Straight or Dowel | 2 | 012HP120 | | |
| 18 | Bearing, Ball | 2 | 012HD129 | 52 | |
| 19 | Gear Assembly, Drive (Forward) | 1 | 012GS202X | | |
| 20 | Gear, Clutch | 1 | 012GS302 | | |
| 21 | Shaft, Intermediate | 1 | 012GS200 | | |
| 22 | Gear Assembly, Drive (Reverse) | 1 | 012GS204X | | |
| 23 | Gear, Reverse Idler | 1 | 012GS207X | | |
| 24 | Ring, Snap | 1 | 012HR128 | | |
| 25 | Gear, Final Drive (Pinion) | 1 | 012GS201 | | |
| 26 | Assembly, Shift Actuator | 1 | 012GV163X | | |
| 27 | Washer, Flat | 1 | 012HN126 | | |
| 28 | Nut, Lock | 1 | 012HN128 | | |
| 29 | Assembly, Shift Rod | 1 | 012SV112X | | |
| 30 | Kit, Detent (Items not serviced separately) | 1 | --- | 012LK133 | |
| 31 | Seal, Oil | 1 | 012HH122 | | |
| 32 | Seal, Oil | 1 | 012HH128 | | |
| 33 | Nut, Lock | 15 | 012HN120 | | |
| 34 | Plug, Rubber | 1 | 41356 | | |
| 35 | Assembly, Tube (Right Hand) | 1 | 012TA213-9X | | |
| 36 | Assembly, Tube (Left Hand) | 1 | 012TA213-9X | | |
| 37 | Screw, Flange Head | 12 | 070HM282 | | |
| 38 | Screw, Flange Head | 8 | 070HN251-1 | | |
| 39 | Nut, Lock | 8 | 070HM218 | | |
| 40 | Ring, Retaining | 2 | 012HR123 | | |
| 41 | Ring, Retaining | 2 | 012HR122 | | |
| 42 | Bearing, Ball | 2 | 012HD106 | | |
| 43 | Ring, Snap | 4 | 840293 | | |
| 44 | Brake Assembly (Right Hand) | 1 | 012WD104-2X | | |
| 45 | Brake Assembly (Left hand) | 1 | 012WD104-1X | | |
| 46 | Shaft, Axle (Right Hand) | 1 | 012SR142-3 | | |
| 47 | Shaft, Axle (Left hand) | 1 | 012SR143-3 | | |
| 48 | Drum, Brake | 2 | 012WA114 | | |
| 49 | Stud, Wheel | 10 | 840261 | | |
| 50 | Nut, Spring | 2 | 34391-2 | | |
| 51 | Kit, Thrust Washer | 1 | --- | 012LK135 | |
| | Kit, Bearing | 1 | --- | 012KD114 | |

PUG

AJ284



- ◆ Not Serviced Separately from Item No. 1
- Thrust Washer Kit