

F570 6x 4

Back Forty Parts Manual

PUG Power
3650 Bay Street
Jackson, MS 39312-5509
Phone: 800-848-4285

Part #HM116300-R1
040901

Printed in U.S.A.

Table of Contents

Description	Page
Transaxle	4
Walking Beam Rear Axle	6
Engine Assembly	8
Drive Covers	10
Steering Assembly	12
Front Suspension	14
Shift and Brake Linkage	16
Pedal Linkage	18
Front Shell and Dash	20
Operators Compartment	22
Tank and Battery	24
Manual Latch and Box Support	26
Tilt Cargo Box	28
Stowaway Cargo Box	30
Stowaway Seat	32
Decals	34
Axle Assembly	36

Purchase standard hardware from a local source. All hardware is zinc plated with a dichromate conversion coating. All bolts and screws are grade 5 unless otherwise specified.

49/2x

Bubble indicates item # 49 used in 2 places

52/6x/k

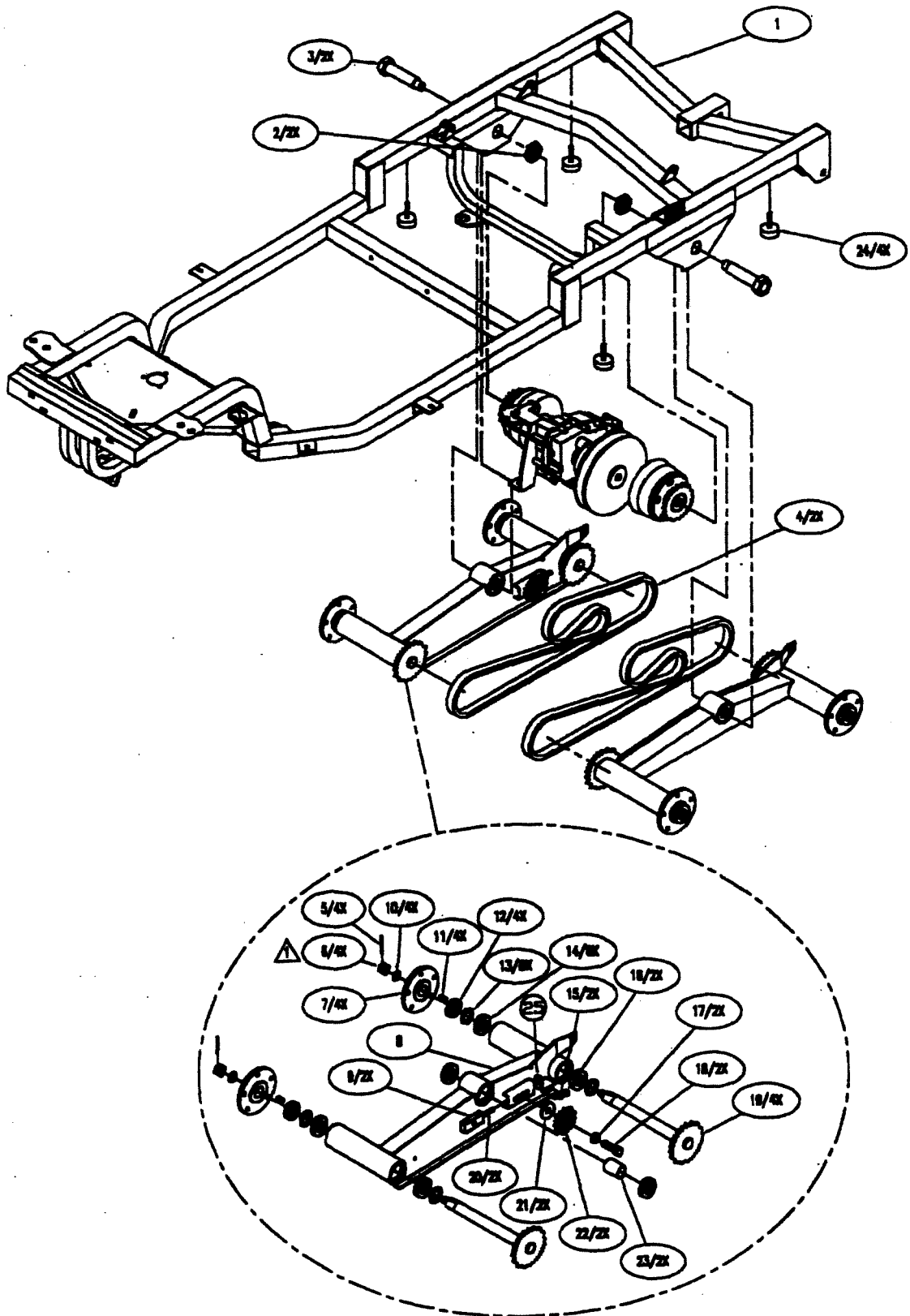
Bubble indicates item #52 used in 6 places that are marked with a k.

k


TRANSAXLE

No.	Part No.	Description	Quantity
1	HPN14	PUSH NUT 1/4	2
2	HNL71620	LUG NUT 7/16-20NF	10
3	24115	BEARING, 1"	2
4	HM116063	WELDMENT, DRIVE HUB	2
5	39153	SPACER, WHEEL	2
6	HM115362	TRANSAXLE 6X4	1
7	37125	RELAY ROD	1
8	37126	TAB, SHIFT	1
9		KEY 3/16 SQ X 3	1
10	37160	DRIVEN PULLEY	1
11		FLAT WASHER 1/2	1
12		LOCK WASHER 1/2	1
13		BOLT 1/2-20NF X 2.25	1
14		NUT 3/8-16NC	2
15		LOCK WASHER 3/8	1
16	39198	SHIFT RELAY	1
17		BOLT 3/8-16NC X 1.12	1
18		SCREW 10-32NF-1.50	2
19	39195	NEUTRAL SAFETY SWITCH	1
20		LOCK WASHER #10	2
21		NUT 10-32NF	2
22	HM116076	TRANS. TORQUE STRAP	1

Walking Beam Rear Axle



NOTE:

 Torque 75-85 FT-LBS.

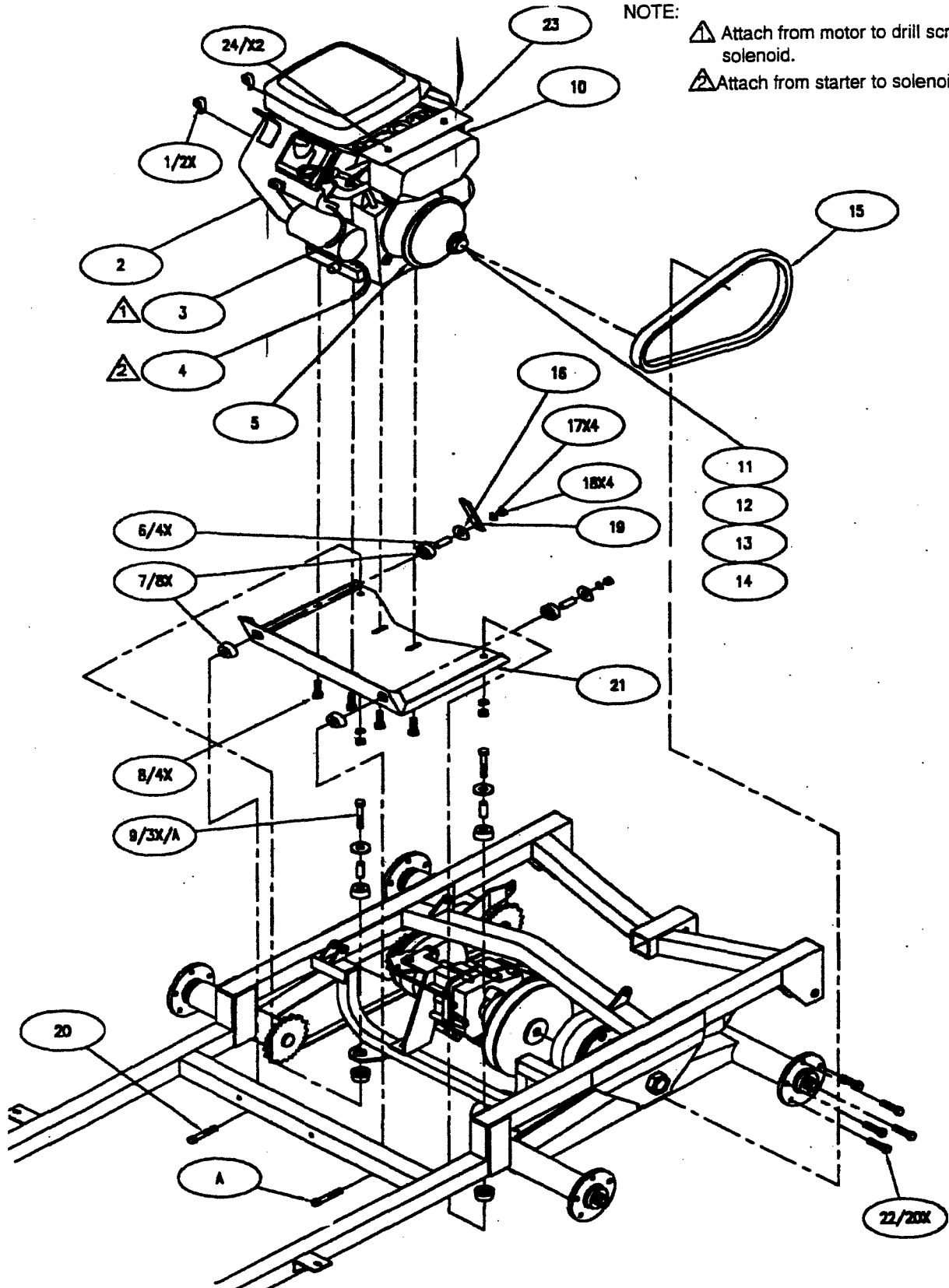
WALKING BEAM REAR AXLE

No.	Part No.	Description	Quantity
1	HM116043	WELDMENT, MAIN FRAME	1
2	HM116037	JAM NUT 1-1/4-12NF X .50	2
3	HM116071	AXLE PIVOT PIN	2
4	HM116165	#50 O-RING CHAIN	2
5	HP532200	COTTER PIN 5/32 X 2	4
6	212393	NUT, SLOTTED 3/4-16	4
7	33199	HUB	4
8	HM116062	WELD, WALKING AXLE LH	1
8	HM116121	WELD, WALKING AXLE RH	1
9	HM116079	ADJUSTING BLOCK	2
10	HMB3414	MACHINE WASHER	4
11	HWK516100	5/16 X 1 WOODRUFF KEY	4
12	HM116132	LOCK COLLAR	4
13	HMB12510	MACHINE BUSHING	8
14	33211	BEARING	12
15	214130	LOCK WASHER 3/8	2
16	212150	NUT, HEX 3/8-16NC	2
17	HWL-58	LOCK WASHER 5/8	2
18	HB5811200	BOLT, 5/8-11NC X 2"	2
19	HM116111	WELD, AXLE SHAFT	4
20	HSSHS3816250	SCREW, SET 3/8 X 2.50	2
21	HM116078	IDLER BACKING DISC.	2
22	HM116136	IDLER SPROCKET	2
23	HM116070	SPACER	2
24	50081	RUBBER INSULATOR	4
25	HM116080	ADJUSTER CAP	2
NOT SHOWN:	HM115813	SKID PLATE	1

Engine Assembly

NOTE:

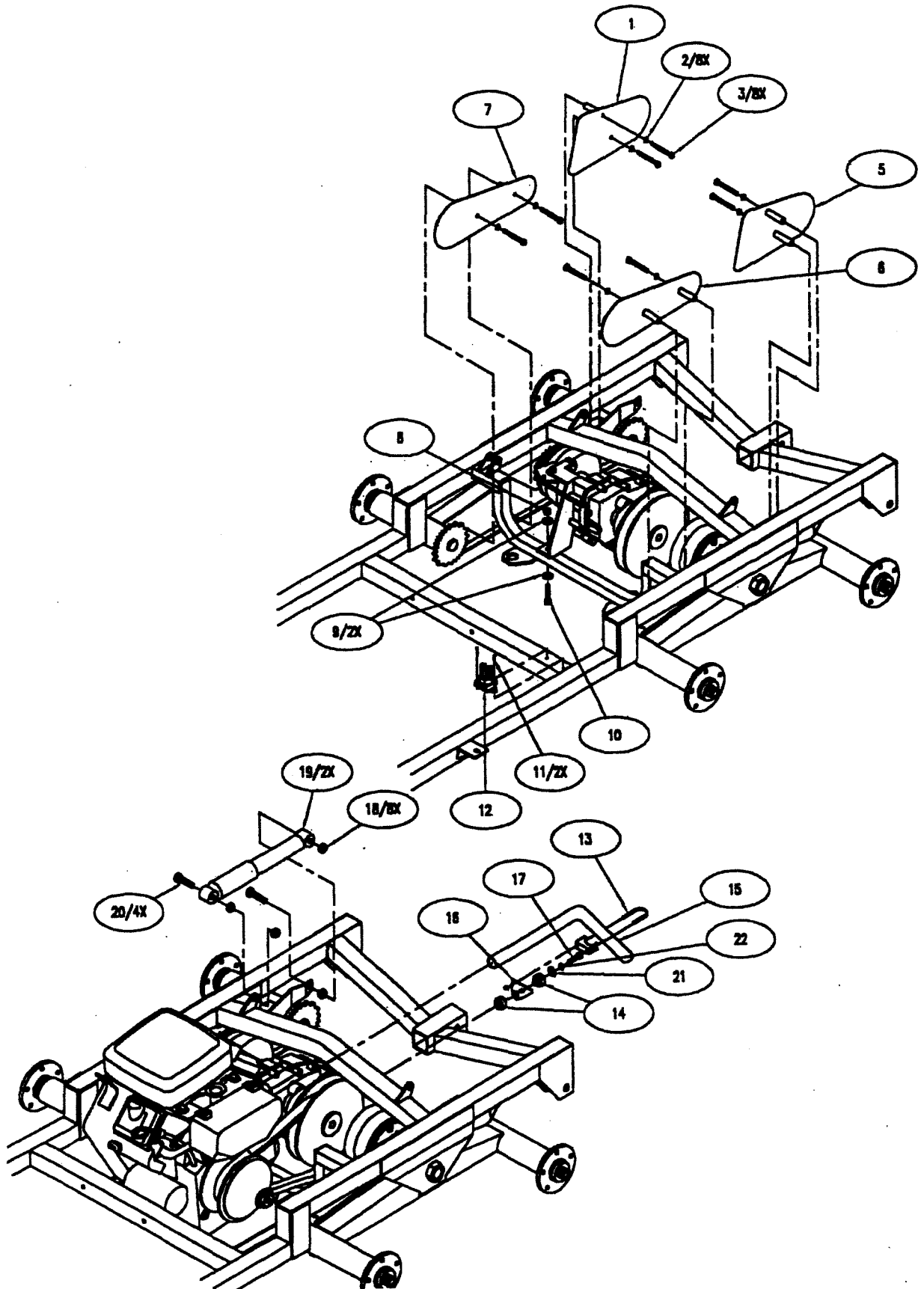
- △ Attach from motor to drill screw of solenoid.
- △ Attach from starter to solenoid.



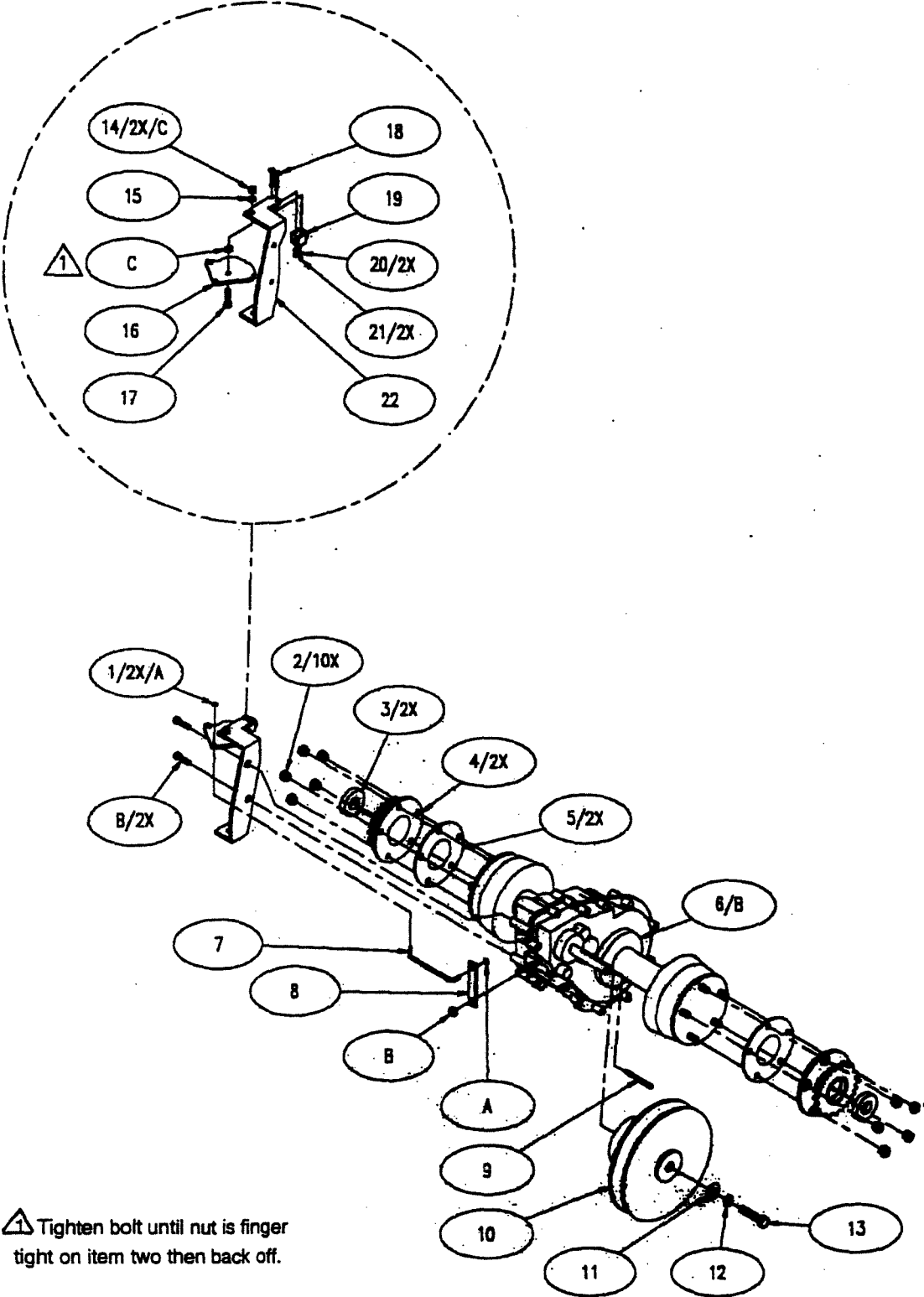
ENGINE ASSEMBLY


No.	Part No.	Description	Quantity
1	HLC58	5/8 LOOM CLAMP	2
2		18 HP. BRIGGS ENGINE	1
3	13197	CABLE, BAT. BLACK 12"	1
4	HM116145	CABLE, BAT RED 12"	1
5	28144	DRIVER PULLEY	1
6	15634	SPACER, ENGINE MOUNT	4
7	60107	ENGINE MOUNT	8
8	HM116283	HEX BOLT 3/8 THREAD ROLLING	4
9		BOLT, 1/2-13NC X 2.50	3
10	37164	HIGH MOUNT MUFFLER	1
11		KEY, 3/16 X 1/4 X 3	1
12		FLAT WASHER 3/8	1
13		LOCK WASHER 3/8	1
14	HB3824450	BOLT, 3/8-24NF X 4.5	1
15	31190	CLUTCH BELT	1
16		FLAT WASHER 1/2	4
17		LOCK WASHER 1/2	4
18		NUT, HEX 1/2-13NC	4
19	HM116122	TAB, SPRING	1
20		BOLT, HEX 12-13NC X 2 3/4	1
21	HM116149	WLDT, ENGINE PLATE	1
22	HM116234	BOLT, WHEEL 1/2-20NF	20
23	39209	SHIELD, HEAT	1
24	39210	SCREW, SHEETMETAL	2

Drive Covers



Transaxle

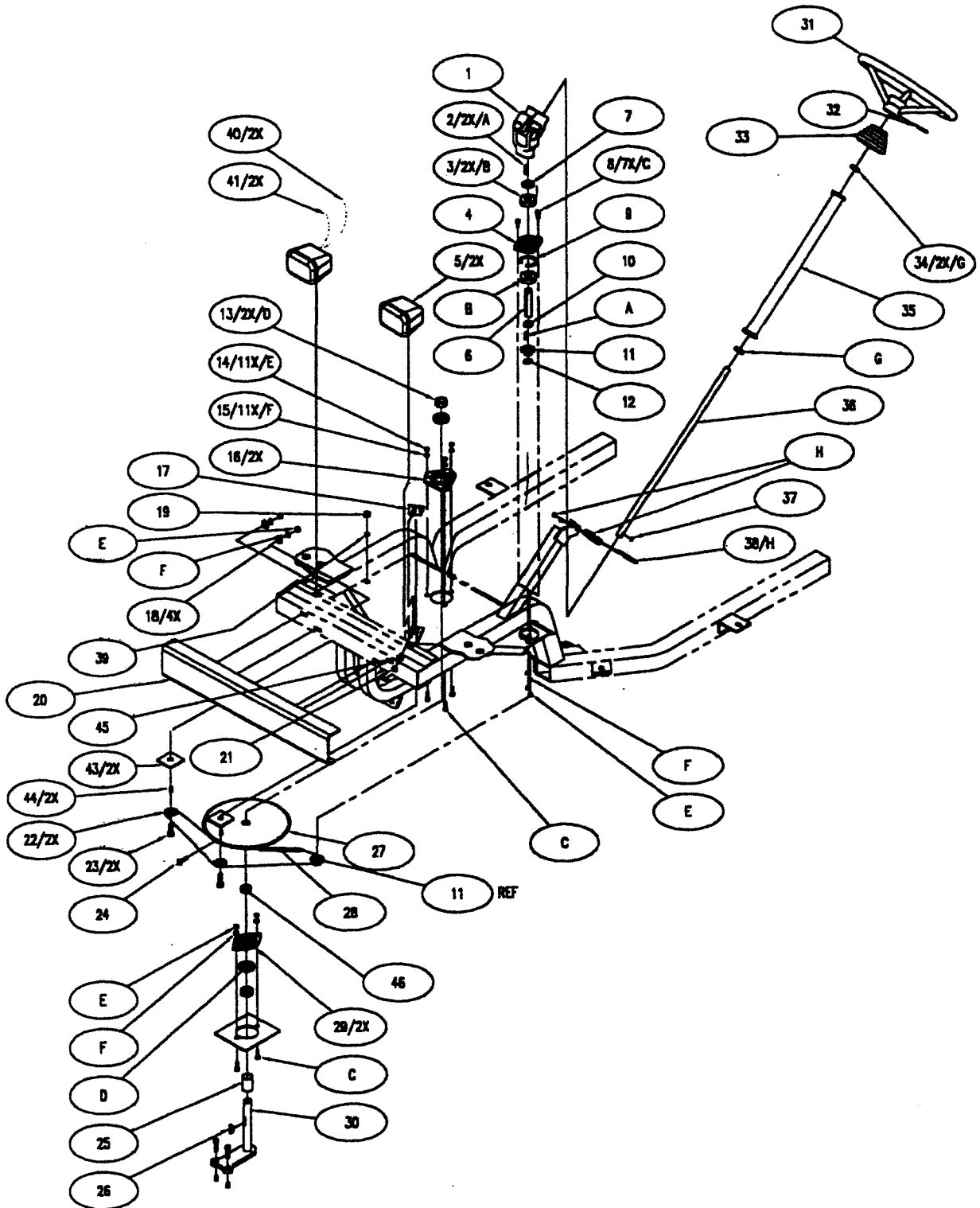


NOTE:  Tighten bolt until nut is finger tight on item two then back off.

DRIVE COVERS

No.	Part No.	Description	Quantity
1	HM116113	RH-REAR CHAIN GUARD	1
2		LOCK WASHER 5/16	8
3		HEX BOLT 5/16-24NF X 3	8
5	HM116112	LH REAR CHAIN GUARD	1
6	HM116114	LH FRONT CHAIN GUARD	1
7	HM116115	RH FRONT CHAIN GUARD	1
8		NUT, NYLOCK 3/8-16NC	1
9		FLAT WASHER 3/8	2
10		BOLT, HEX 3/8-16NC X 2	1
11	HSD14100	SCREW, DRILL 1/4 X 1"	2
12	12015	SOLENOID	1
13	31199	MUFFLER CLAMP	1
14	39152	ENGINE MOUNT ISOLATOR	1
15	39170	EXHAUST PIPE	1
16	HM116088	MUFFLER BRACKET	1
17		BOLT, HEX 3/8-16NC X 1.50	1
18		NUT, HEX CENTER LOCK 1/2-13NC	8
19	43211	SHOCK ABSORBER	2
20		BOLT, HEX 1/2-13NC X 2.75	4
21		FLAT WASHER, 3/8	1
22		LOCK WASHER, 3/8	1

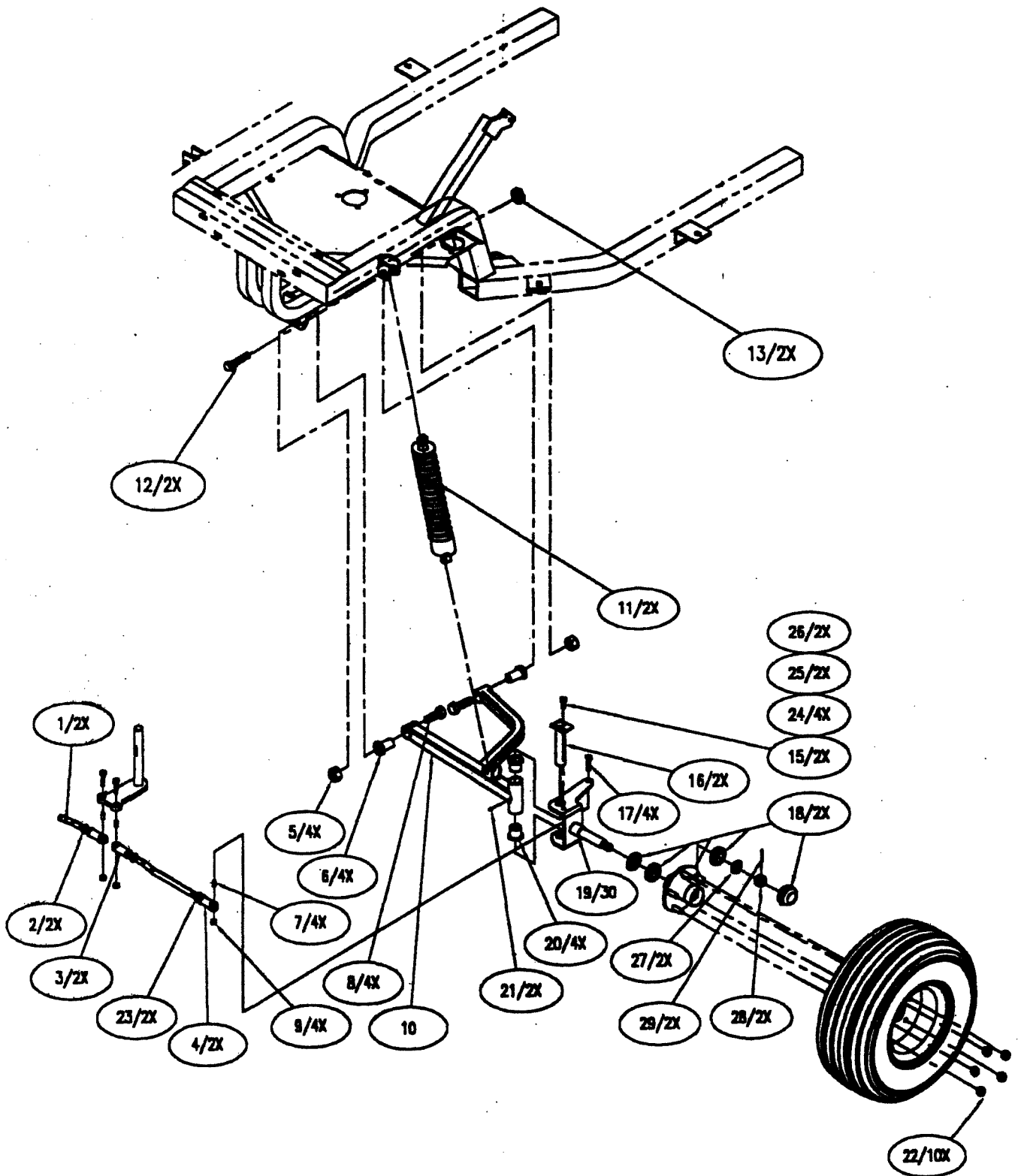
Steering Assembly



STEERING ASSEMBLY

No.	Part No.	Description	Quantity
1	75833	UNIVERSAL JOINT	1
2		SQUARE KEY 3/16 X 3/4	2
3	39214	BEARING 3/4	2
4	39212	BEARING TUBE	1
5	28220	HEADLIGHT, 12V	2
6	39215	LOWER STEERING SHAFT	1
7	HMB3414	MACHINE BUSHING 3/4 X 14GA	1
8		BOLT, HEX 5/16 X 1	7
9	39213	1-5/8 INT. SNAP RING	1
10	39211	SPACER STEERING SPROCKET	1
11	28160	35BS11 X 3/4 SPROCKET	1
12	8809	3/4 EXT SNAP RING	1
13	26317	FLANGE BEARING 1"	2
14		NUT, HEX 5/16-18NC	11
15		LOCK WASHER 5/16	11
16	39206	3 HOLE FLANGE (1"BEARING)	2
17	39118	CHAIN TENSIONER	1
18		FLAT WASHER 5/16	4
19		NUT, HEX 1/2-13	1
20	HM116044	BUMPER	1
21		NUT, HEX 3/8-16NC	1
22	28159	IDLER SPROCKET	2
23		BOLT, 1/2-13NC X 2	2
24		5/16-18 X 1 SQ HD SET SCREW	1
25	39196	STEERING SPACER	1
26		WOODRUFF KEY 1/4 X 1	1
27	31119	STEERING SPROCKET	1
28	8834	#35 ROLLER CHAIN	51.5
28	8835	#35 CONNECTING LINK	1
29	39207	2 HOLE FLANGE (1" BEARING)	2
30	39116	WLDT, STEERING SHAFT	1
31	20129	CENTER CAP	1
31	20057	STEERING WHEEL	1
32		ROLL PIN 1/4 X 2	1
33	33226	CV BOOT	1
34	39185	BUSHING, NYLON 3/4	2
35	39187	STEERING COLUMN	1
36	39119	STEERING SHAFT	1
37		WOODRUFF KEY 3/16 X 3/4	1
38	33203	MUFFLER CLAMP 1-1/2	1
39		LOCK WASHER 1/2	1
40	8701	TERMINAL NICHIFU # TMEN 4020M	2
41	8747	TERMINAL NICHIFU # TME 2-BU	2
42		FLAT WASHER 3/8	1
43	39159	IDLER SPROCKET SPACER	2
44	20019	OILITE BUSHING	2
45		3/8 LOCK WASHER	1
46	SK101	SPLIT COLLAR (207078)	1

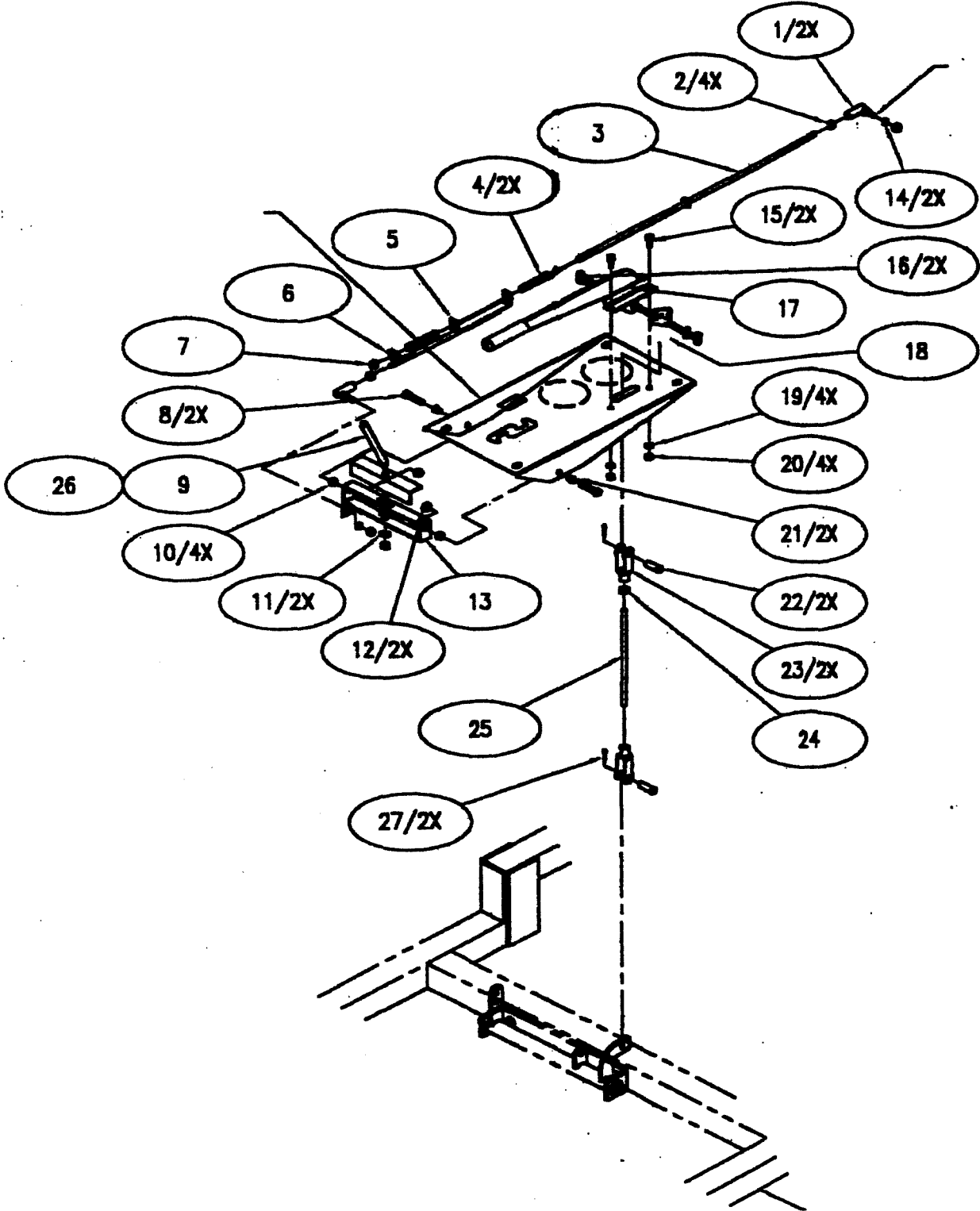
Front Suspension



FRONT SUSPENSION

No.	Part No.	Description	Quantity
1	39120	TIE ROD	2
2		NUT, JAM 5/8-18NF	2
3	18155	5/8 ROD END RH	2
4	31193	5/8 ROD END LH	2
5		NUT, HEX 9/16-12NC TOP LOCK	4
6	39129	IDLER ARM BUSHING	4
7	20019	OILITE BUSHING	4
8	HB91612300	BOLT, 9/16-12NC X 3	4
9		NUT, HEX 1/2-20NF	4
10	HM115646	WISHBONE, RH	1
10	HM115647	WISHBONE, LH	1
11	HM115645	SPRING, COIL/SHOCK	2
12		BOLT 5/8-11X1.75 LG	2
13		LOCKNUT, 5/8-11	2
14			
15		BOLT, HEX 1/4-20NC X 1	2
16	33115	KING PIN	2
17		BOLT, HEX 1/2-20NF X 2	4
18	33184	HUB COMPLETE	2
	HM115312	BEARING FOR ITEM 18	2
	HM115313	SEAL FOR ITEM 18	1
19	39106	WHEEL SPINDLE LH	1
19	39107	WHEEL SPINDLE RH	1
20	18223	OILITE BUSHING	4
21	HG1428180	GREASE ZERK, 1/4-28STR	2
22	HNL1220	NUT, WHEEL LUG	10
23		NUT, JAM 5/8-18NF LH	2
24		FLAT WASHER 1/4	4
25		LOCK WASHER 1/4	2
26		NUT, HEX 1/4-20NC	2
27	HMB3410	BUSHING 3/4 X 10GA	2
28	HNA3416	NUT, SLOTTED 3/4-16NF	2
29		COTTER PIN 5/32 X 1.50	2
30	HM112051	DUST CAP	2

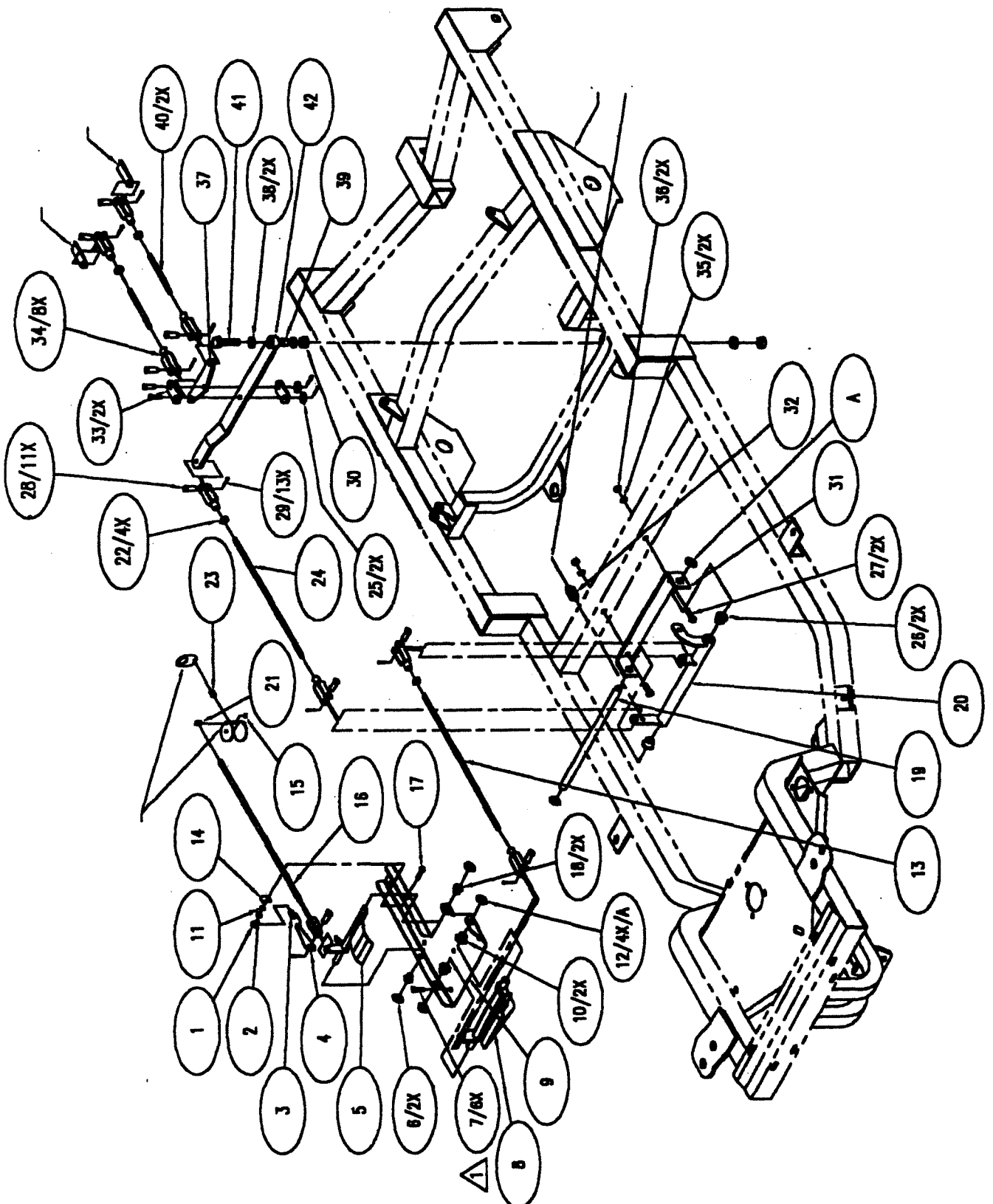
Shift and Brake Linkage



SHIFT AND BRAKE LINKAGE

No.	Part No.	Description	Quantity
1	21173	BALL JOINT 3/8	2
2		NUT, HEX 3/8-24NF	4
3	HM116125	WLDT, REAR SHIFT ROD	1
4	37128	SHIFTER SPRING	2
5	37127	FRONT SHIFT ROD	1
6	214270	FLAT WASHER 3/8	1
7	HNCL3824	NYLOCK NUT 3/8-24NF	1
8	202310	BOLT, 3/8-16NC X 1.75	2
9	HM116143	SHIFT HANDLE	1
10	212150	NUT, HEX 3/8-16NC	4
11	39176	O-RING, CONTROL PANEL	2
12	HNCL3816	NUT, CENTERLOCK 3/8-16NC	2
13	HM116110	SHIFT CAGE	1
14	214130	LOCK WASHER 3/8	4
15	HST51618075	BOLT, TRUSS HEAD 5/16-18NC X 3/4	2
16	202350	BOLT, HEX 5/16-18NC X 3/4	2
17	37143	PARK BRAKE LEVER	1
18	HM116177	ADAPTER, PARK BRAKE	1
19	214120	LOCK WASHER 5/16	4
20	212290	NUT, HEX 5/16-18NC	4
21	16047	PLASTIC BUSHING	2
22	HCP516100	CLEVIS PIN 5/16 X 1	2
23	11100	YOKE, PLATED 5/16	2
24	212390	NUT, HEX 5/16-24NF	1
25	HM116119	PARK BRAKE ROD	1
26	40038	BLACK GRIP	1
27	HP332075	COTTER PIN 3/32 X 3/4	11

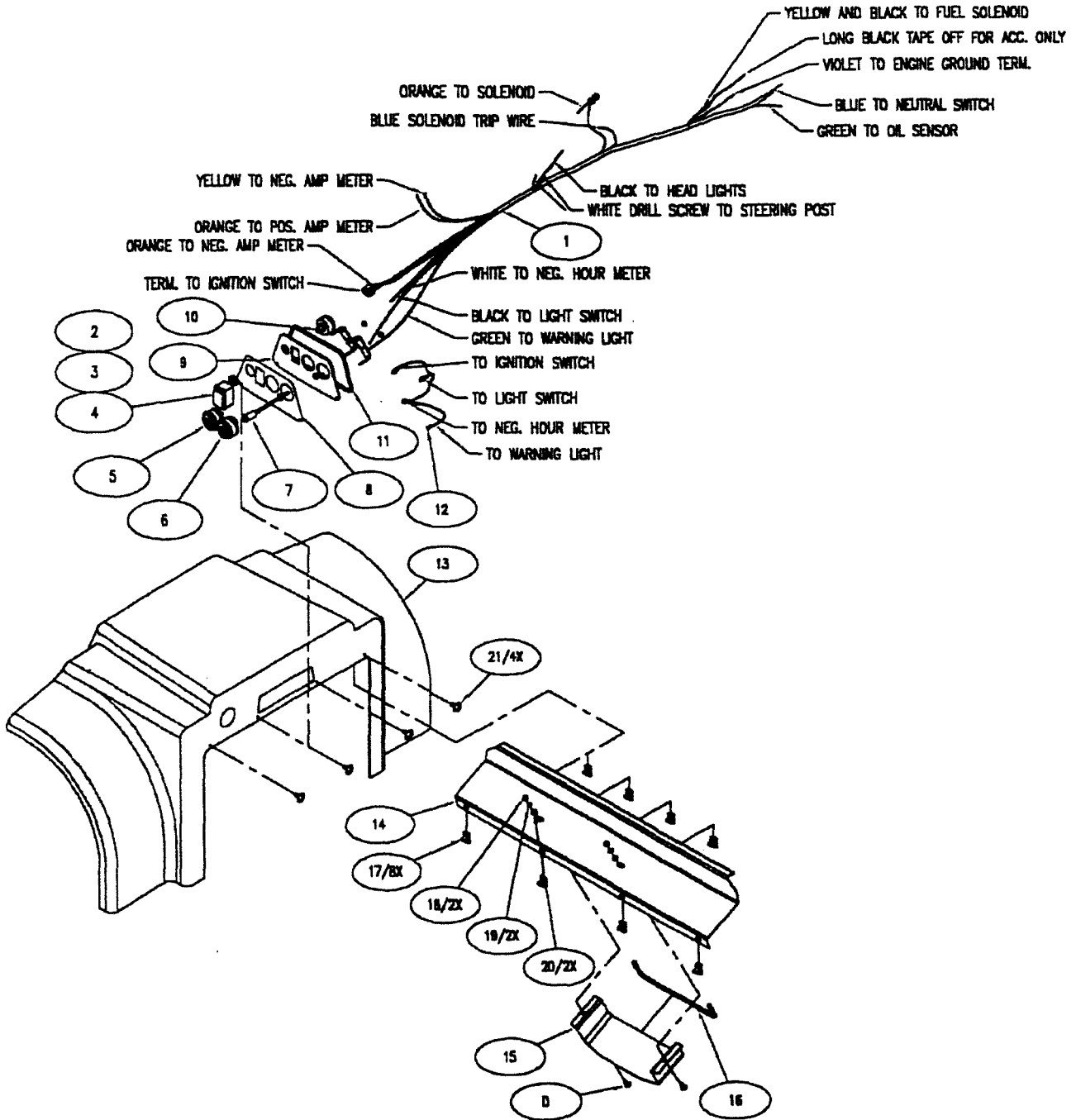
Pedal Linkage



PEDAL LINKAGE

No.	Part No.	Description	Quantity
1	HNTL1420	NUT, HEX NYLOCK 1/4-20NC	1
2		NUT, HEX 1/4-20NC	1
3	37169	THROTTLE RETURN SPRING	1
4	HM116209	THROTTLE SPRING EXT.	1
5	39113	GAS PEDAL	1
6	HPN38	PUSH NUT 3/8	2
7	HSD14075	SCREW, DRILL 1/4 X 3/4	6
8	39114	BRAKE PEDAL	1
9	39124	PEDAL MOUNT	1
10	33261	NYLON BUSHING	2
11		LOCK WASHER 1/4	1
12	HPN58	PUSH NUT 5/8	4
13	HM116116	ROD, BRAKE FRONT	1
14	15271	1/4 CONDUIT CLAMP	1
15	HM112034	E-RING	1
16	HM116253	THROTTLE CABLE	1
17		BOLT, HEX 5/16-18NC X 1.25	1
18	16047	BUSHING, PLASTIC	2
19	HM116156	SHAFT BRAKE PIVOT	1
20	HM116082	WLDT, BRAKE RELAY	1
21	HM111012	THROTTLE WIRE STOP	1
22		NUT, HEX 5/16-24NF	4
23	HM116242	THROTTLE RETURN SPRING	1
24	HM116117	ROD, BRAKE CENTER	1
25		FLAT WASHER 5/16	2
26	76128	OILITE BUSHING	2
27		BOLT, HEX 5/16-18NC X 1"	2
28	HCP516100	PIN CLEVIS, 5/16 X 1"	11
29		COTTER PIN 3/32 X 3/4	11
30		NUT, CENTERLOCK 1/2-13NC	1
31	HM116032	BRACKET, BRAKE PIVOT	1
32	24137	TENSION SPRING	1
33	HM116087	BRAKE EQUALIZER HINGE STRAP	2
34	11100	YOKE, PLEATED 5/16	8
35		LOCKWASHER, 3/8	2
36		NUT, HEX 3/8-16NC	2
37	HM116081	BRAKE EQUALIZER HINGE STRAP	1
38		FLAT WASHER 1/2	2
39	20019	OILITE BUSHING	1
40	HM116118	BRAKE ROD	2
41		BOLT, HEX 1/2-13NC X 2"	1
42	HM116069	WLDT, REMOTE BRAKE LEVER	1

Front Shell and Dash



NOTE:

1. Place foam insulation tape in between panels to stop vibration

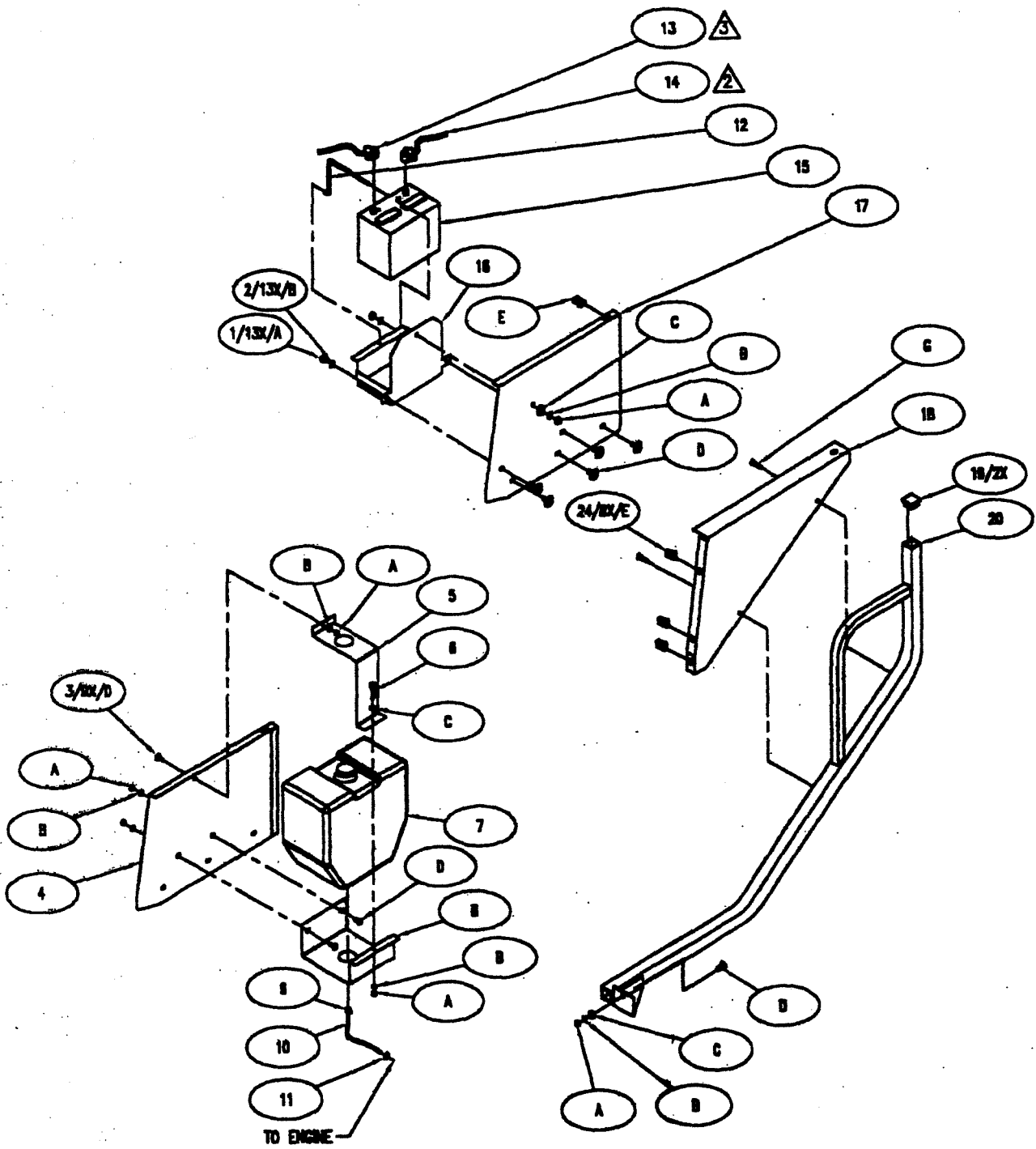
FRONT SHELL AND DASH

No.	Part No.	Description	Quantity
1	39134	WIRING HARNESS	1
2	HM116162	SWITCH HOUSING	1
3	HM116161	SWITCH ACTUATOR	1
4	HM116160	SWITCH BODY	1
5	12017	HOUR METER	1
6	22003	AMMETER	1
7	50359	WARNING LIGHT	1
8	39204	DASH DECAL	1
9	39205	DASH PANEL	1
10	28171	IGNITION SWITCH	1
11	8721	EDGE PROTECTION	33"
12	28518	IGN. SWITCH TO HOUR METER	1
13	37152	NOSE, GREEN	1
13	HM116184	NOSE, FORREST BLEND	1
13	HM116216	NOSE, MOSSY OAKS	1
14	31156	UPPER PANEL	1
15	31170	GLOVE BOX	1
16	8805	EDGE PROTECTION	17.5"
17	207005	U-NUT 1/2 OFF SET	8
18		NUT 5/16-18 HEX	2
19		LOCK WASHER 5/16	2
20		FLAT WASHER 5/16	2
21	207004	BOLT, TORX 5/16-18 X 3/4	4

OPERATOR COMPARTMENT

No.	Part No.	Description	Quantity
1	8824	HOSE, INDUSTRIAL 1.50	35"
2	39656	ONTAKE, REMOTE AIR	1
3	HSD8063	SCREW, HEX DRILL	10
4	39125	LINKAGE COVER	1
5	HM116168	GLOVE BOX, STANDARD	1
6	HSD14075	SCREW, DRILL 1/4 X 3/4"	4
7	HSD14100	SCREW, DRILL 1/4 -1"	16
8	39121	FLOORBOARD	1
9	37117	PANEL, FRONT SEAT	1
10	207006	U-NUT 3/4 OFFSET	4
11		WASHER, FLAT 1/4	6
12		WASHER, LOCK 1/4	6
13	HM115584	CHOKE CABLE	1
14		NUT, HEX 1/4-20NC	6
15	39202	CONSOLE, CUP HOLDERS	1
16	HM116162	SWITCH HOUSING	1
17	39203	DECAL, CONSOLE	1
18	HM116169	PANEL PLUG	1
19	HM116167	CUP HOLDERS	2
20	8805	TRIM LOCK	46"
21	37147	PANEL, REAR SEAT	1
22		BOLT, HEX 5/16-18NC X 3/4	8
23	39175	PANEL, BUCKET SEAT	2
24	HM116146	SEAT, BUCKET WITH LOGO	2
25	HST1420075	SCREW, TRUSS 1/4-20NC X 3/4	6
26		WASHER, FLAT 5/16	8
27		WASHER, LOCK 5/16	8
28	207005	U-NUT 1/2" OFFSET	16
29	207004	BOLT, TORX 5/16-18 X 3/4	24
NOT SHOWN: SPRING LOADED CHOKE (PARTS BELOW)			
	HM115587	EXTENSION SPRING	1
	207083	M6-1 X 30 HH CAP SCREW	1
	207088	CENTER LOCK NUT	1

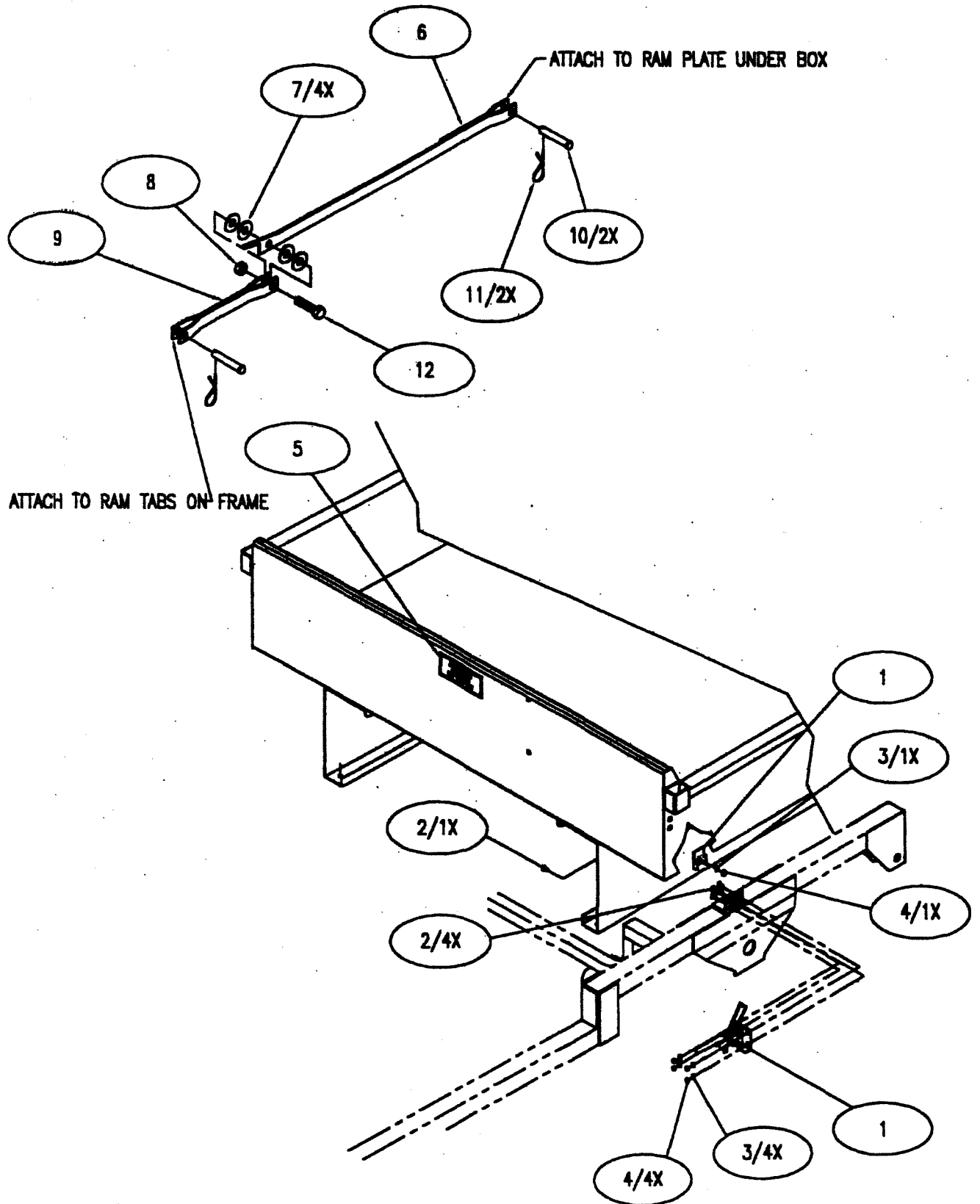
Tank and Battery



TANK AND BATTERY

No.	Part No.	Description	Quantity
1		NUT, HEX 5/16-18NC	13
2		LOCK WASHER 5/16	13
3	207004	BOLT, TORK 5/16	9
4	39123	PANEL, RIGHT SIDE	1
5	39128	STRAP, GAS TANK	1
6	207079	BOLT, 5/16-18 X 1	1
7	28308	GAS TANK CAP	1
7	15248	GAS TANK	1
8	39127	GAS TANK CRADLE	1
9	15390	CLAMP, HOSE 1/4-5/8	1
10	8800	HOSE, FUEL 1/4	8"
11	18003	CLAMP, HOSE CONSTANT TENSION	1
12	15591	CLAMP, BATTERY	1
13	33289	CABLE, BATTERY 20"	1
14	HM116145	CABLE, BATTERY 12"	1
15		BATTERY-GROUP U1	1
16	39138	BATTERY BOX	1
17	39122	PANEL, LEFT SIDE	1
18	37118	PANEL, LEFT SEAT	1
18	39119	PANEL, RIGHT SEAT	1
19	39150	PLUG 1-1/4 SQ	2
20	39161	OUTSIDE TUBE RAIL LH	1
20	39162	OUTSIDE TUBE RAIL RH	1
21		BOLT, HEX 5/16-18NC X 2	4
22			
23		FLAT WASHER 5/16	13
24	207005	U-NUT 1/2 OFF SET	8

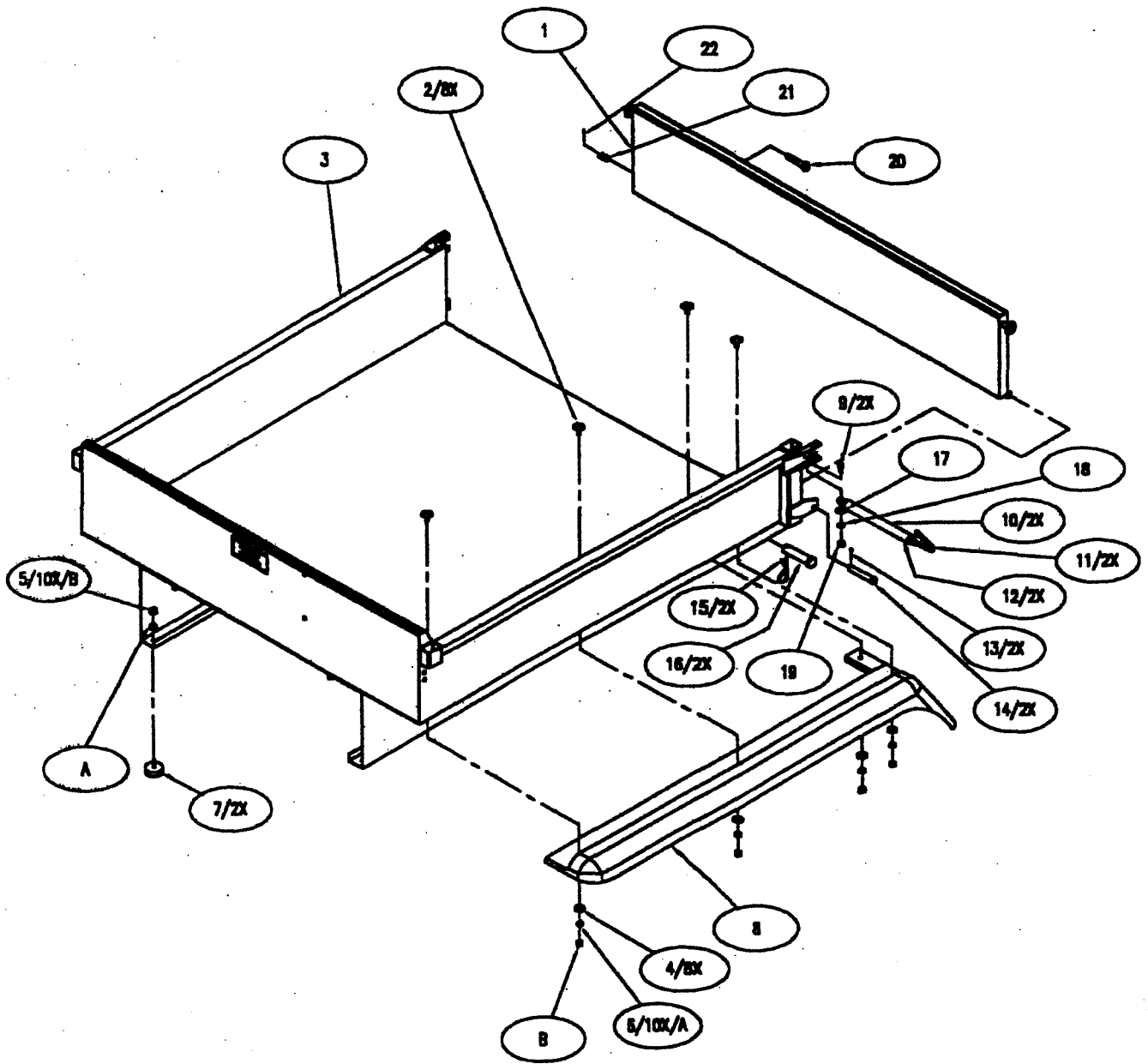
Manual Latch and Box Support



MANUAL LATCH AND BOX SUPPORT

No.	Part No.	Description	Quantity
1	HM115374	BED HOLD DOWN LATCH	1
2	207081	BOLT, TRUSS HD. 1/4-20 UNC	5
3	214300	LOCK WASHER, 1/4	5
4	212130	NUT, HEX 1/4-20 UNC	5
5	25286	PINCH POINT DECAL	1
6	41605	LONG STRAP	1
7	HMB1214	BUSHING, MACHINE 1/2	4
8	HNC1220	NUT, NYLOCK 1/2-20	1
9	41606	SHORT STRAP	1
10	HCP12200	CLEVIS PIN 1/2 X 2	2
11	207067	HAIR PIN COTTER 1/2	2
12	HB1220150	BOLT, HH 1/2-20 X 1.50	1

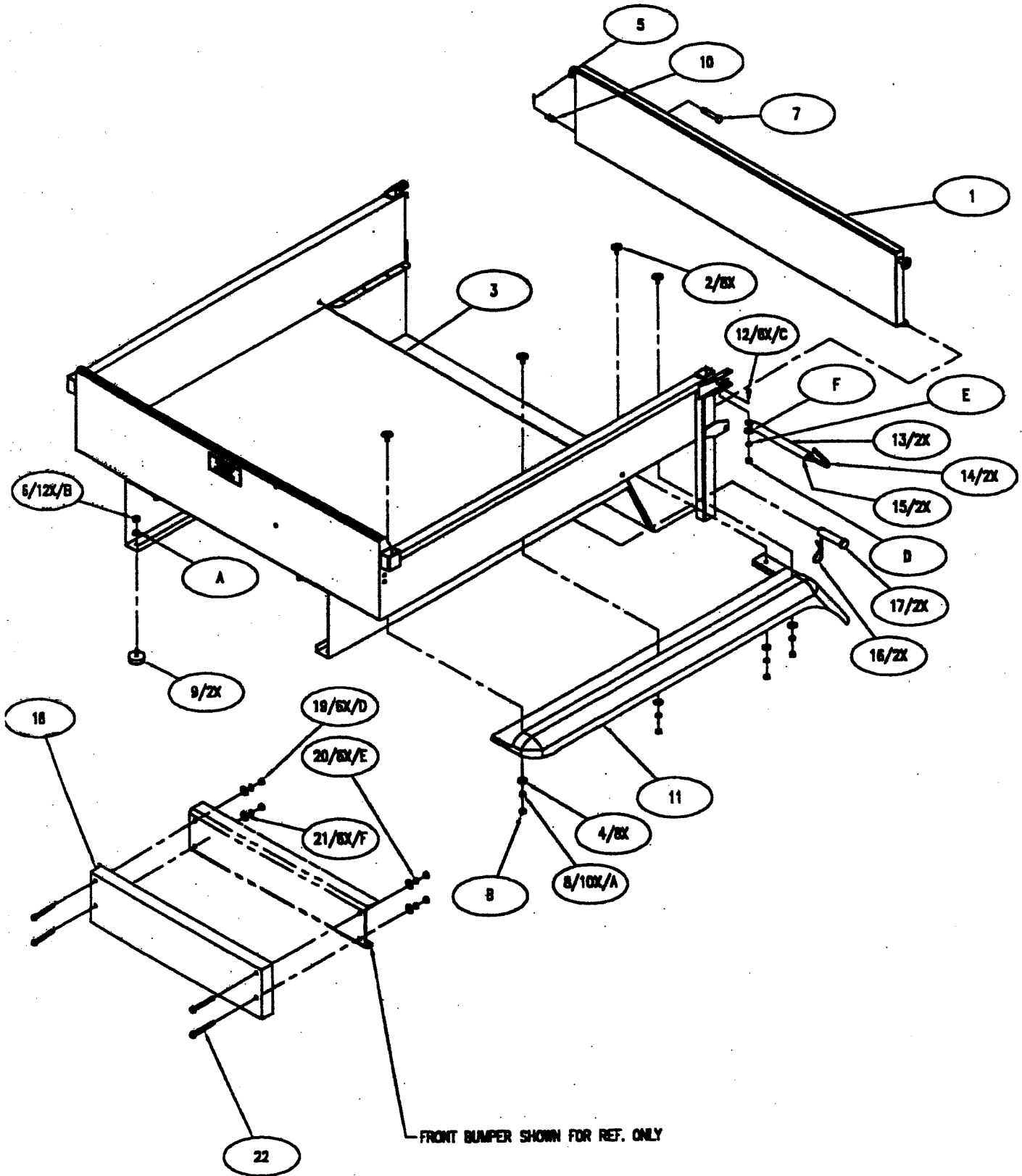
Tilt Cargo Box



TILT CARGO BOX

No.	Part No.	Description	Quantity
1	39602	TAILGATE	1
2	HST3816075	BOLT, TRUSS 3/8-16NC X 3/4	8
3	HM116181	WELD TILT BOX	1
4		FLAT WASHER 3/8	8
5		NUT, HEX 3/8-16NC	10
6		LOCK WASHER 3/8	10
7	50081	RUBBER INSULATOR	2
8	HM116193	RH FENDER GREEN	1
8	HM116194	LH FENDER GREEN	1
8	HM116195	RH FENDER FOREST BLEND	1
8	HM116196	LH FENDER FOREST BLEND	1
8	HM116221	RH FENDER MOSSY OAK	1
8	HM116222	LH FENDER MOSSY OAK	1
9		BOLT, HEX 5/16-18NC X 1"	2
10	8802	HOSE SLEEVE	18"
11	39603	WELD, GATE CHAIN	2
12		LONG NYLON TIE	2
13		COTTER PIN 5/32 X 1"	2
14	HCP12200	CLEVIS PIN 1/2 X 2"	2
15	207067	HAIR PIN COTTER 1/2	2
16	HCP34300	CLEVIS PIN 3/4 X 3"	2
17		FLAT WASHER 5/16	2
18		LOCK WASHER 5/16	2
19		HEX NUT 5/16-18	2
20	HCPU12250	CLEVIS PIN UN. 1/2 X 2.50	1
21	225125	STOWAWAY BOX SPRING	1
22	HRP316100	ROLL PIN 3/16 X 1	1
NOT SHOWN: HM116090		FENDER EXTENSION LH	1
HM116157		FENDER EXTENSION RH	1

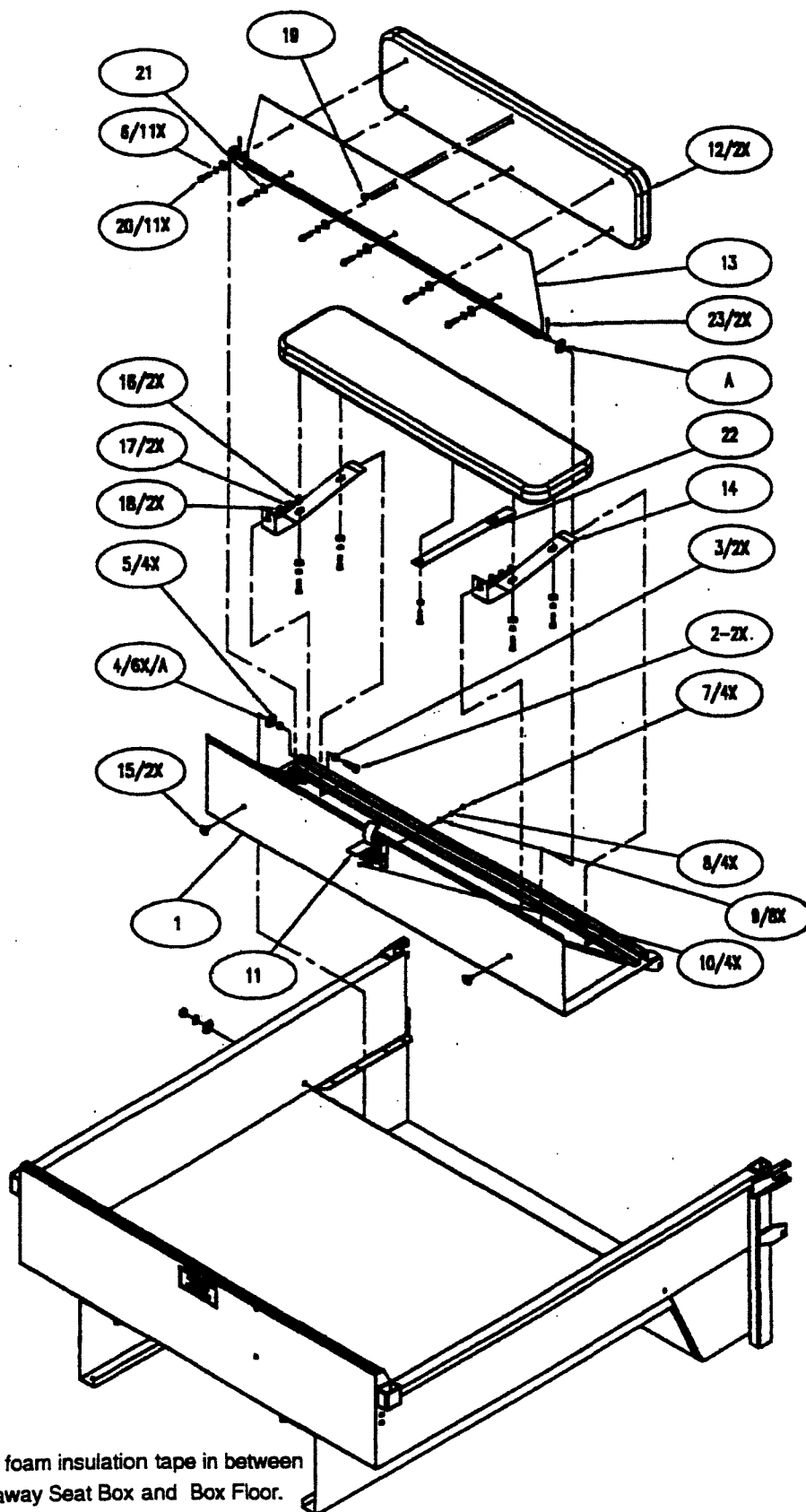
Stowaway Cargo Box



STOWAWAY CARGO BOX

No.	Part No.	Description	Quantity	
1	39625	TAILGATE	1	
2	HST3816075	BOLT, TRUSS 3/8-16NC X 3/4	8	
3	HM116198	WELD STOWAWAY BOX	1	
4		FLAT WASHER 3/8	8	
5		ROLL PIN 3/16 X 1	1	
6		NUT, HEX 3/8-16NC	10	
7	HCPU12250	CLEVIS PIN, UN. 1/2 X 2.50	1	
8		LOCK WASHER 3/8	10	
9	50081	RUBBER INSULATOR	2	
10	225125	STOWAWAY BOX SPRING	1	
11	HM116193	RH FENDER GREEN	1	
11	HM116194	LH FENDER GREEN	1	
11	HM116195	RH FENDER FORREST BLEND	1	
11	HM116196	LH FENDER FORREST BLEND	1	
11	HM116221	RH FENDER MOSSY OAK	1	
11	HM116222	LH FENDER MOSSY OAK	1	
12		BOLT, HEX 5/16-18NC X 1"	4	
13	8802	HOSE SLEEVE	18"	
14	39603	WELD GATE CHAIN	2	
15		LONG NYLON TIE	2	
16	207067	HAIR PIN COTTER 1/2	2	
17	HCP34300	CLEVIS PIN 3/4 X 3"	2	
18	HM115720	WELD WEIGHT BAR	1	
19		NUT, HEX 5/16-18NC	6	
20		LOCK WASHER 5/16	6	
21		FLAT WASHER 5/16	6	
22	202021	BOLT HH 5/16-18NC X 2.75	4	
NOT SHOWN: HM116090		FENDER EXTENSION LH	1	
		HM116157	FENDER EXTENSION RH	1
		8710	ANTI SKID PAD	1

Stowaway Seat

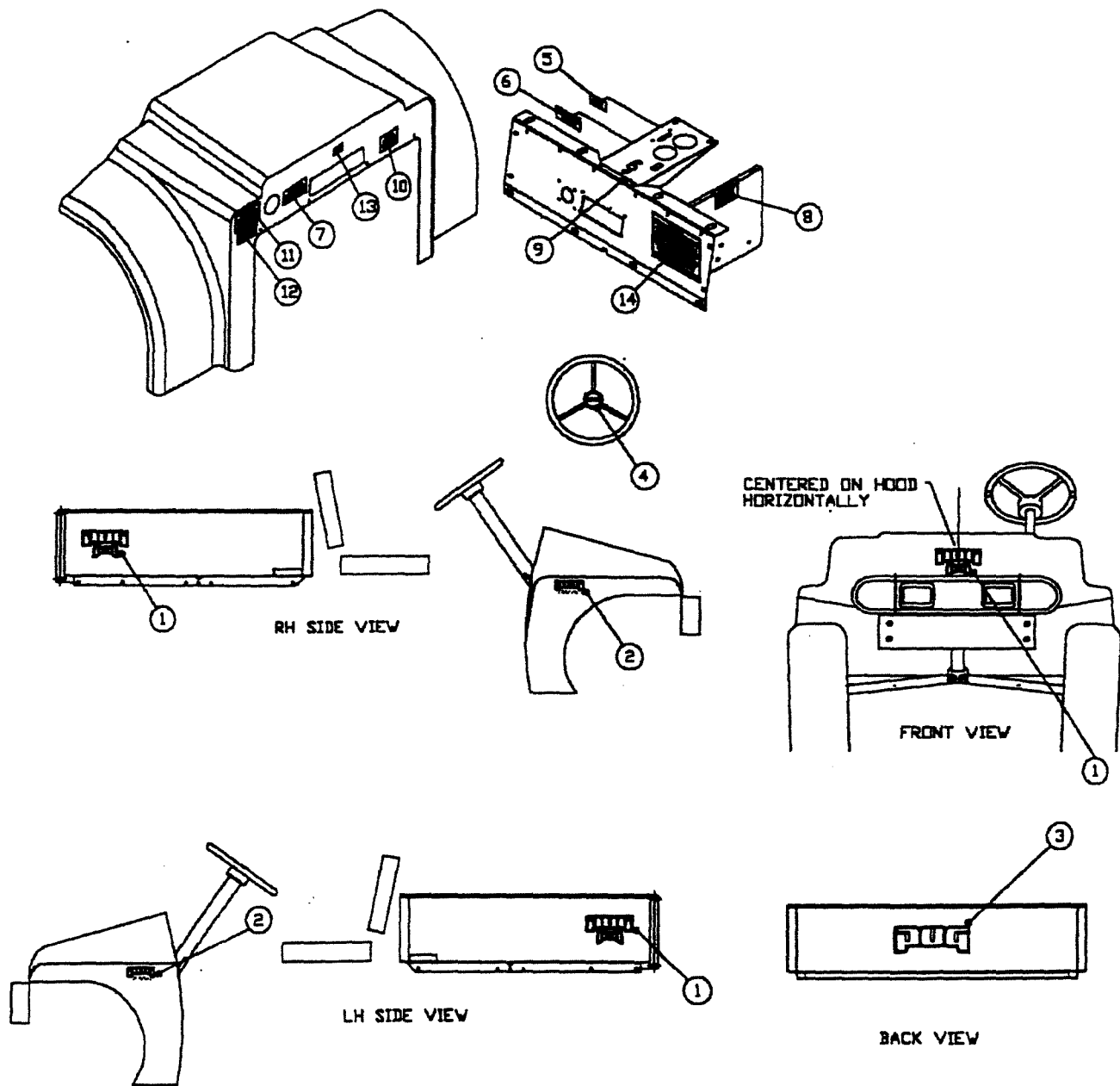


NOTE:
1. Place foam insulation tape in between
Stowaway Seat Box and Box Floor.

STOWAWAY SEAT

No.	Part No.	Description	Quantity
1	39622	SEAT BOX	1
2		BOLT, HEX 3/8-16NC X 1.50	2
3	28299	NYLON BUSHING	2
4		FLAT WASHER 3/8	6
5		NUT, HEX 3/8-16NC	4
6		LOCK WASHER 1/4	11
7		NUT, HEX 8-32NC	4
8		LOCK WASHER #8	4
9		FLAT WASHER #8	8
10		MACHINE SCREW 8-32NC X 1/2	4
11	39626	4" DRAW HASP	1
12	15299P00	SEAT BACK	2
13	39623	SEAT HINGE	1
14	39624	SEAT MOUNT BRACKET	2
15	207004	TORX TRUSS 5/16-18NC	2
16		NUT, HEX 5/16-18NC	2
17		LOCK WASHER 5/16	2
18		WASHER 5/16	2
19	HM116237	SNAP BASE W/SCREW	1
20		BOLT, HEX 1/4-20NC X 3/4	11
21		FLAT WASHER 1/4	11
22	HM116299	STOWAWAY SEAT STRAP	1
23		COTTER PIN 5/32 X 1	2
	8821	1/4 X 1 FOAM INSULATION TAPE	AR

Decals

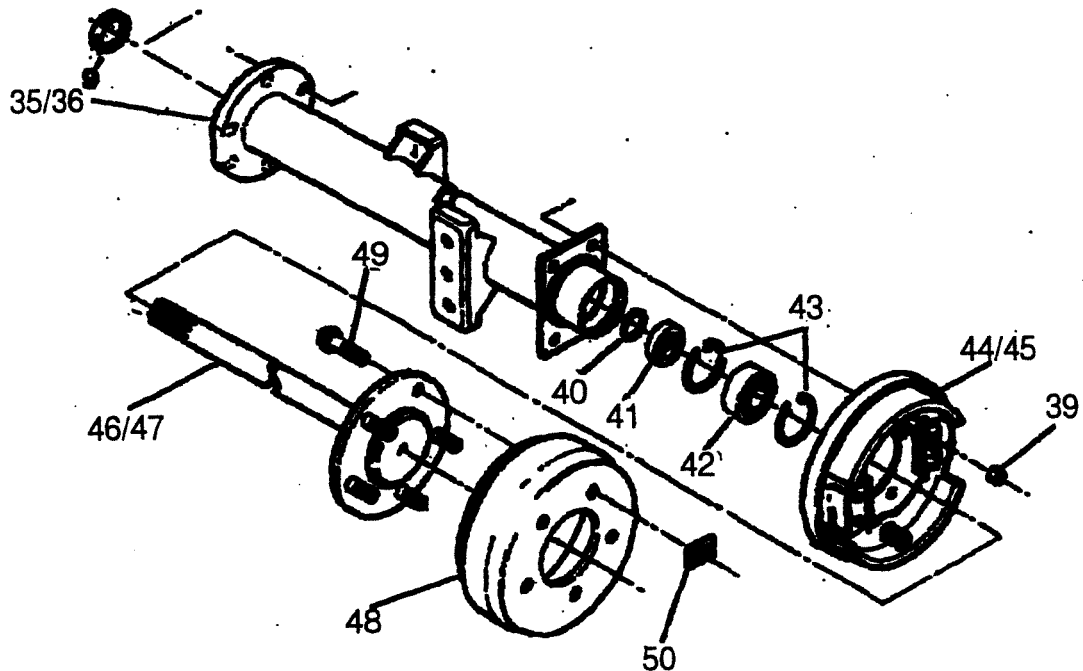


DECALS

No.	Part No.	Description	Quantity
1	HM115060	PUG LOGO 7.5 DECAL	3
2	HM115070	MODEL F570 6 X 4 DECAL	2
3	HM115062	PUG GRAPHIC 12.3 DECAL	1
4	HM115065	PUG HORN GRAPHIC DECAL	1
5	50368	GAS DECAL	1
6	25307	RE-FUELING WARNING DECAL	
7	HM116251	WEIGHT BAR WARNING DECAL	1
8	25277	BATTERY WARNING DECAL	1
9	39172	CHOKE DECAL	1
10	25276	MOTOR VEHICLE DECAL	1
11	39105	LOAD LIMIT WARNING DECAL	1
12	50369	CAUTION DECAL	1
13	25322	MADE IN U.S.A.	1
14	15345	OPERATING WARNING DECAL	1
	8815	1/8 X 1 FOAM INSULATION TAPE	AR
	8818	1/8 X 1/2 FOAM INSULATION TAPE	AR
	8837	MOTOR OIL PER BRIGGS SPEC.	1.5
	8899	80/90 GREAR LUBE	1.25
	HM116204	OPERATOR MANUAL	1
NOT SHOWN:	HM115287	PROP WARNING DECAL	1
	HM115502	MANUAL LATCH DECAL	1

BACK FORTY TRANSAXLE ASSEMBLY

No.	Part no.	Description	Qty.
9	HM115200	Oil Seal	2
40	HM115201	Retaining Ring	2
41	HM115202	Retaining Ring	2
42	HM115203	Ball Bearing	2
43	HM115204	Snap Ring	4
44	HM115205	Brake Assembly L.H.	1
45	HM115206	Brake Assembly R.H.	1
39	HM115207	Lock Nut	8
35/36	HM115208	Axle Tube, F570	2
49	HM115209	Wheel Stud	10
48	HM115210	Brake Drum	2
46/47	HM115211	Axle Shaft, LH & RH F570	2
	HM115212	Brake Shoe F480/F570	2
*	HM115585	Carrier F480/F570	1
35/36	HM115268	Axle Tube, LH F480	1
35/36	HM115269	Axle Tube, RH F480	1
46/47	HM115270	Axle Shaft, LH F480	1
46/47	HM115271	Axle Shaft, RH F480	1



* Not Shown